

EM-6600 | Antenna, Ultra-Wideband, Omni-Directional, Passive



Description

The EM-6600 is a compact, Ultra-Wideband, Omni-Directional antenna designed to operate seamlessly across a broad frequency range of 1.3 GHz to 50 GHz covering the L, S, C, X, Ka, K, Ku, and V Bands

With its low VSWR, consistent gain, and high efficiency throughout the entire band, the EM-6600 ensures reliable performance in critical applications. Its lightweight and compact form factor make it an excellent choice for UAVs and covert operations, delivering precision and reliability even in the most challenging environments.

Specifications

Electrical

Frequency Range: 1.3GHz – 50GHz

Polarization: Linear, Vertical

VSWR: < 2:1 typical
3:1 Max

Radiation Pattern: Omnidirectional

Impedance: 50Ω, Nominal

Gain: 4.5dBi Nominal

Connector: 2.4mm (EM-6600 | 1.3–50GHz)

Mechanical

Dimensions:

Height: 3 in. (7.62 cm)

Diameter: 2 in. (5.08 cm)

Mount Length: 2.15 in. (5.64cm)

Weight (Antenna Only): 0.26lbs. (120 g)

Mounting Options Available:

EM-6600 ¼-20 Tripod Mount (included)

EM-6133 Tabletop Tripod

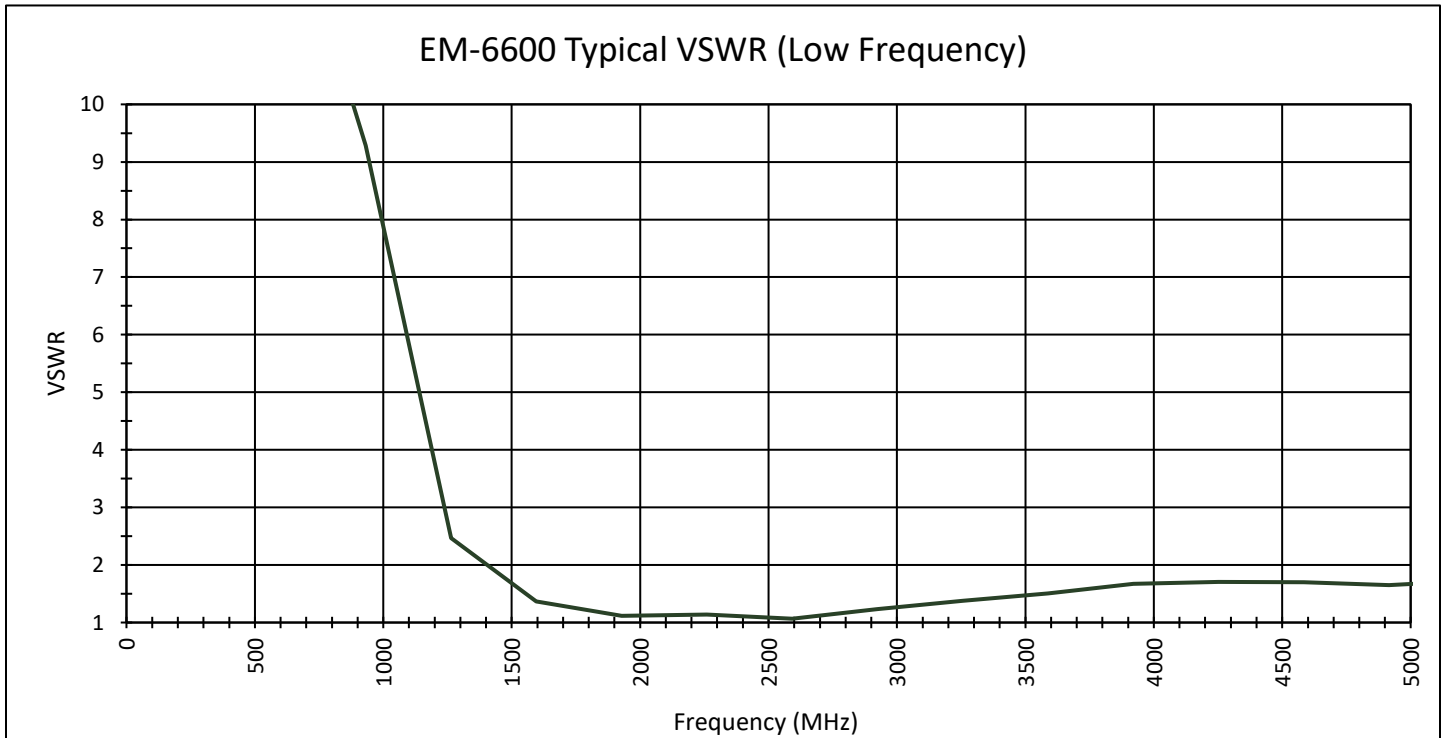
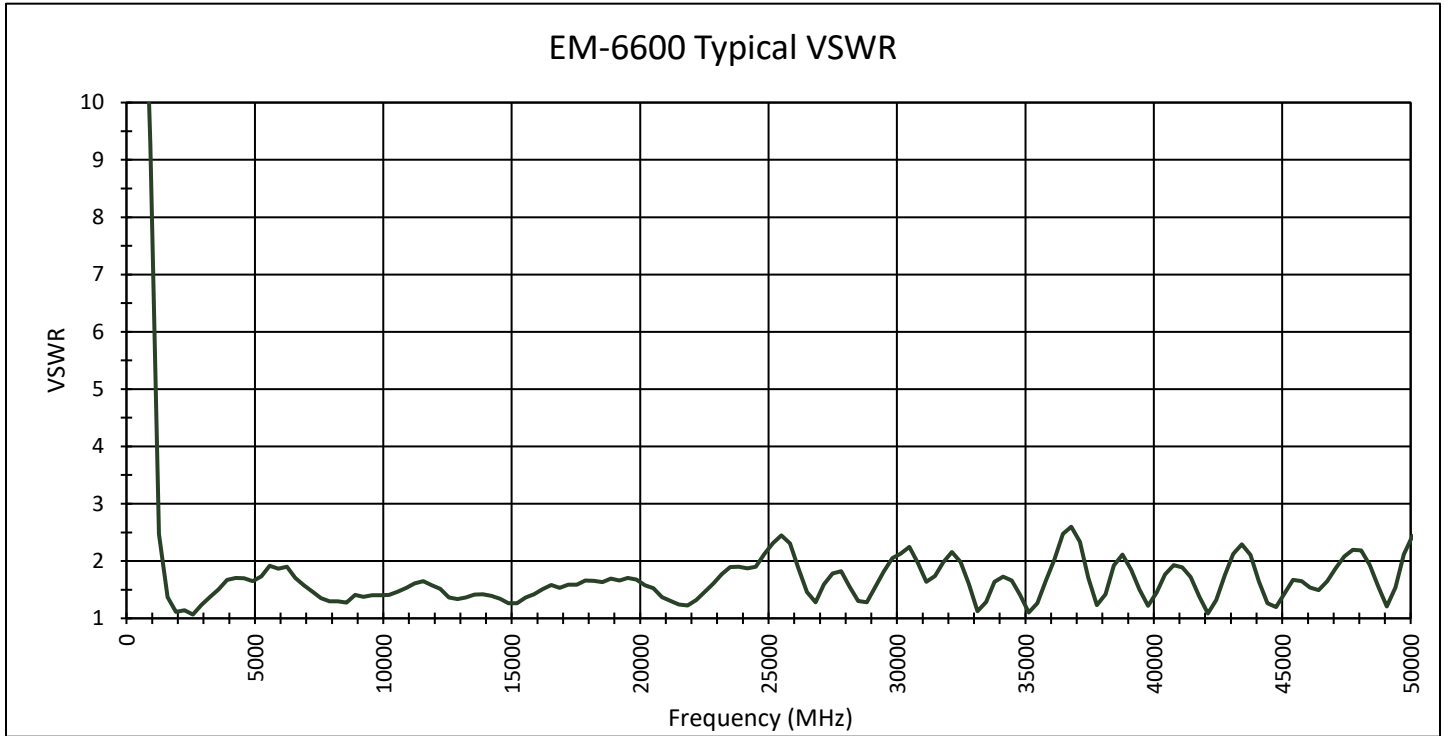
Color Options:

- Black (default)
- Custom colors available upon request

Specifications subject to change without notice, unless otherwise specified. Product is manufactured in Johnstown, NY, U.S.A.



EM-6600 | Antenna, Ultra-Wideband, Omni-Directional, Passive

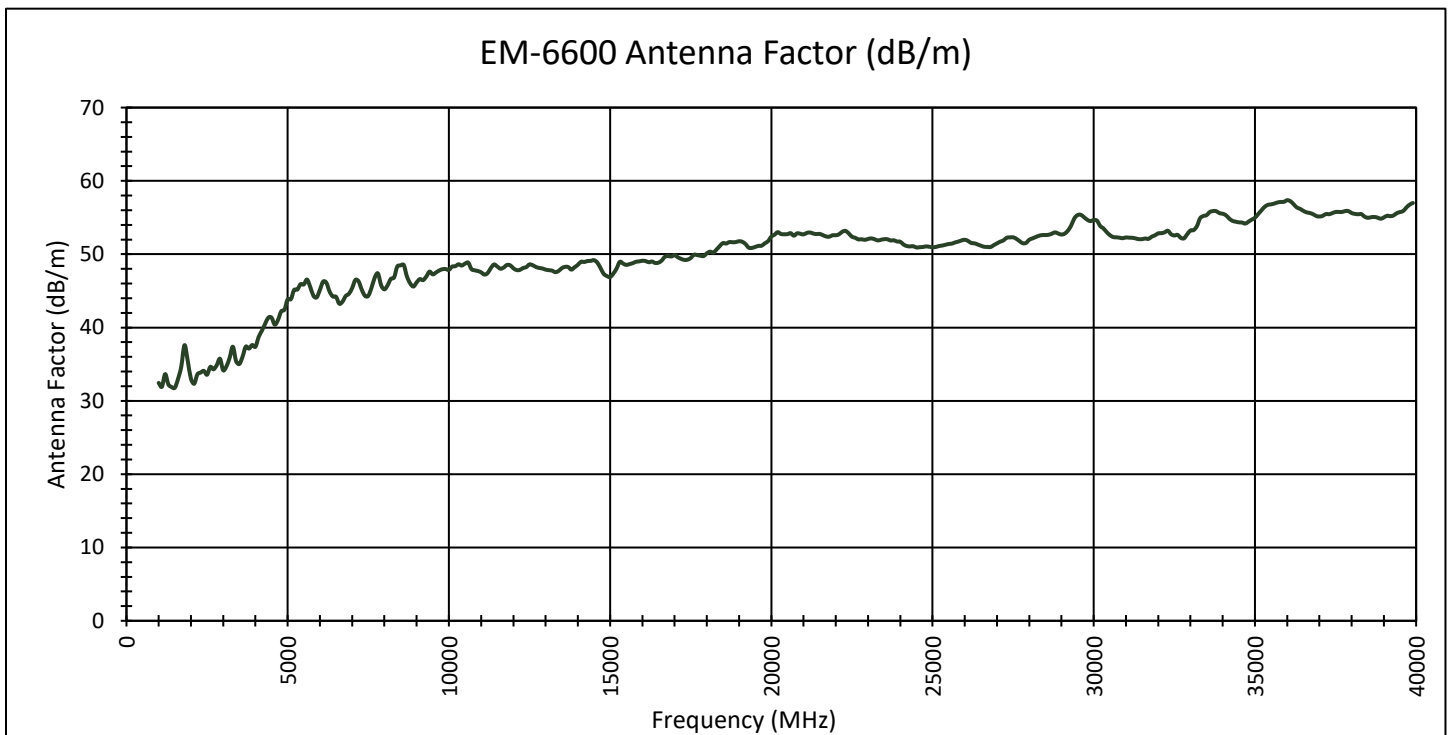
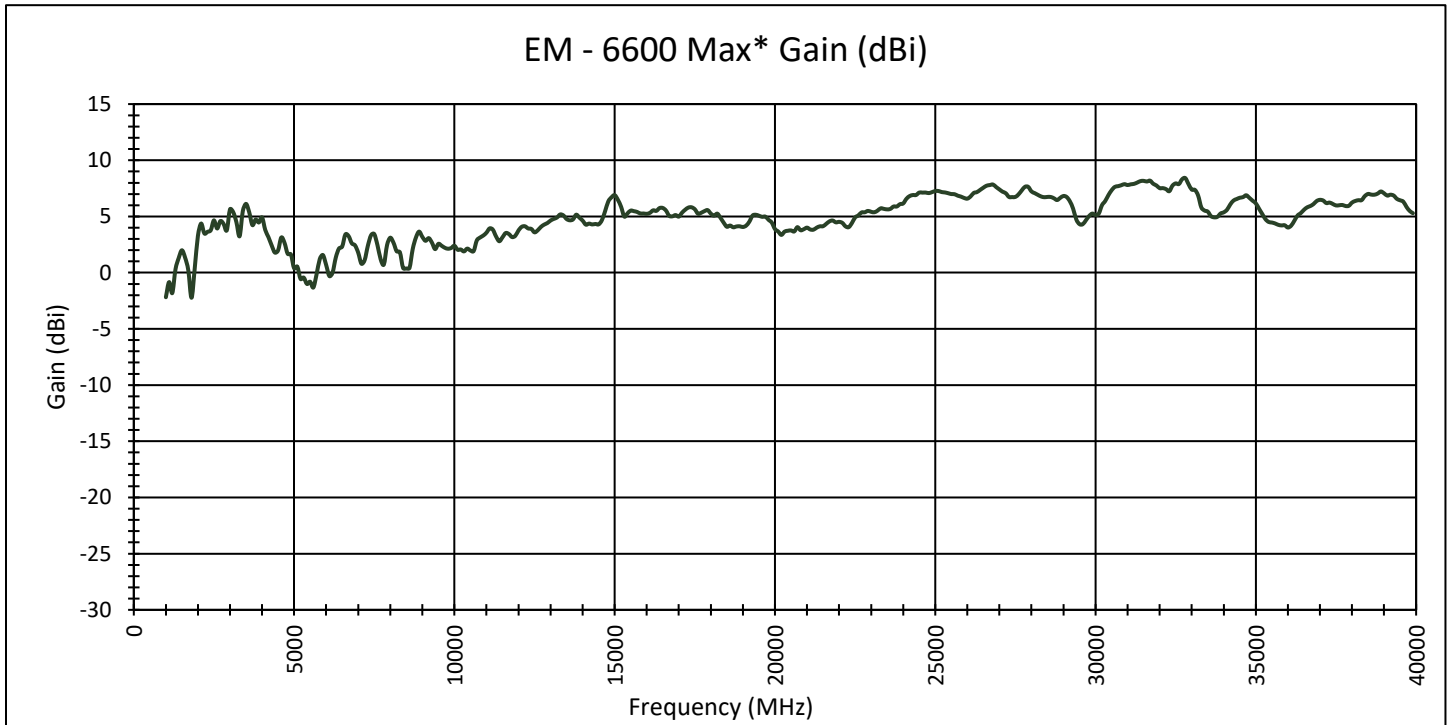


Data shown is typical, not guaranteed.

Specifications subject to change without notice, unless otherwise specified. Product is manufactured in Johnstown, NY, U.S.A.



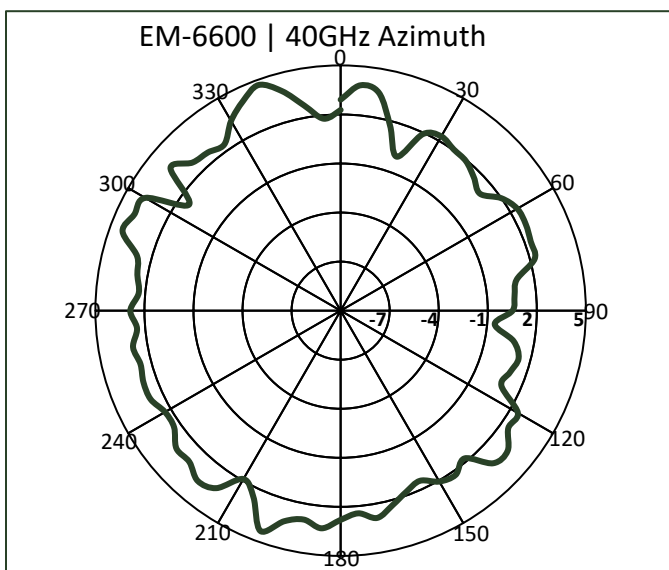
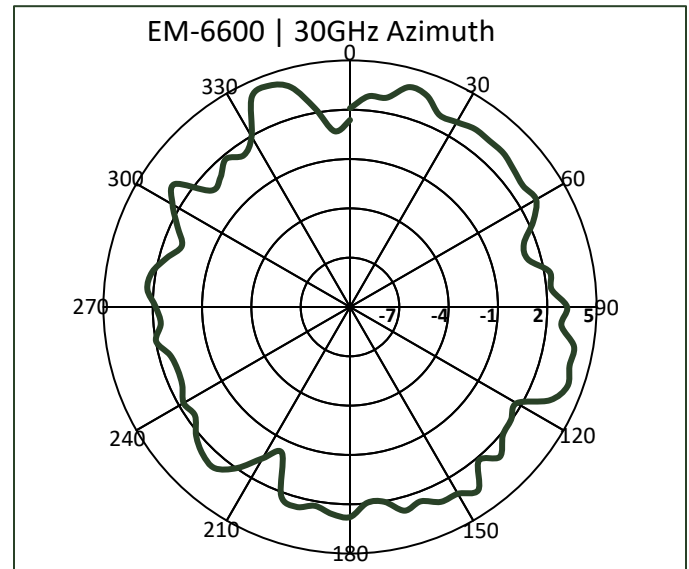
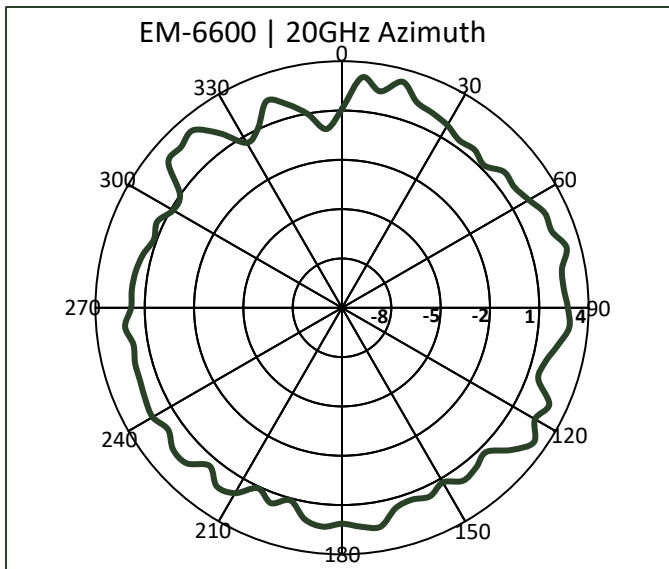
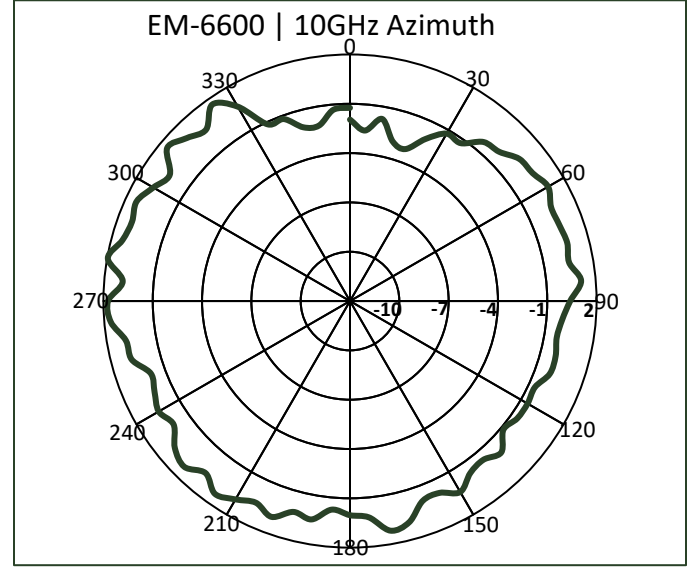
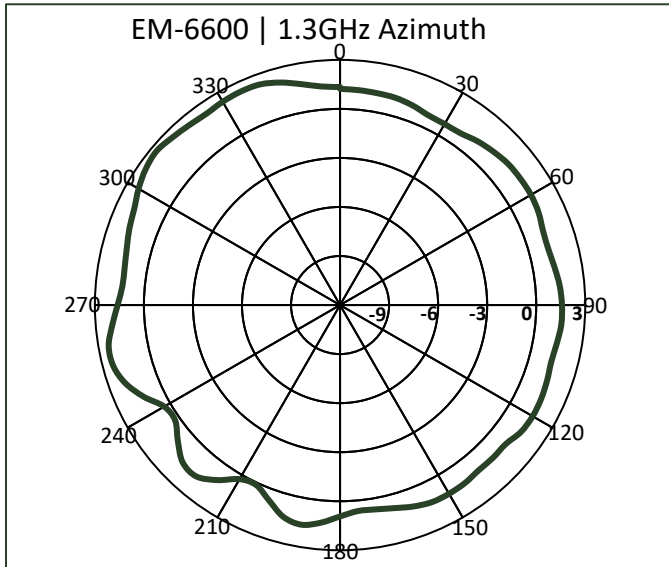
EM-6600 | Antenna, Ultra-Wideband, Omni-Directional, Passive



*Maximum Gain determined from scans at all radiation angles. Data shown is typical, not guaranteed.

Specifications subject to change without notice, unless otherwise specified. Product is manufactured in Johnstown, NY, U.S.A.





Radiation Patterns scaled at 3dBi/Div. Azimuth measured at 0deg offset from electrical center of the antenna.

Specifications subject to change without notice, unless otherwise specified. Product is manufactured in Johnstown, NY, U.S.A.

