

EM-6907 | Antenna, Passive, Handheld, Directional



Description

The Electro-Metrics EM-6907 is a passive, handheld antenna for direction finding applications. The EM-6907 features a strong front-to-back ratio with a consistent radiation pattern to improve direction finding capabilities.

The EM-6907 is equipped with a detente mount for seamless switching between vertical and horizontal polarizations, and it features an integrated 1/4-20 tripod mount at the base of the grip for added versatility.



Specifications

Electrical

Frequency Range: 20MHz – 300MHz

Polarization: Linear

VSWR: < 2:1 Typical below 200MHz

3.5:1 @ 250MHz

3dB Beamwidth: Azimuth 120°- 190°

Elevation 140° - 230°

Front-to-Back Ratio: >10dB Typical

Impedance: 50Ω, Nominal

Gain: > -10 dBi above 150MHz

-27 dBi @ 50MHz

-44dBi @ 20MHz

Connector: SMA (**EM-6907** | 20MHz – 300MHz)

Type 'N' (**EM-6907-1** | 20MHz – 300MHz)

Mechanical

Dimensions:

Length: 15.42 in. (39.17 cm)

Width: 4.12 in. (10.46 cm)

Height: 10.93 in. (27.76 cm)

Weight: 1.25 lbs (0.57 kg) Estimated*

Mounting Options Available:

1/4-20 handle (included)

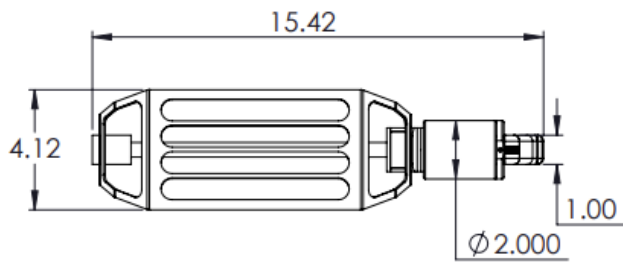
Color Options:

- Black Anodized (standard)
- Unfinished Aluminum
- Custom colors available upon request

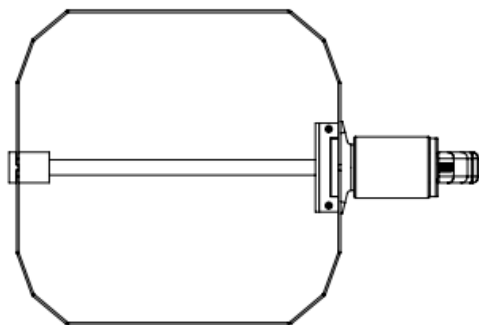
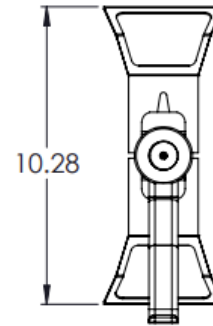
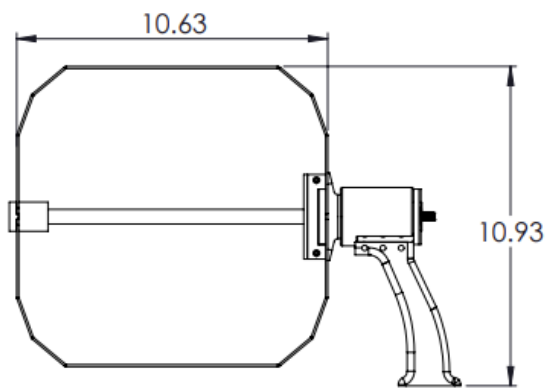
Specifications subject to change without notice, unless otherwise specified. Product is manufactured in Johnstown, NY, U.S.A.



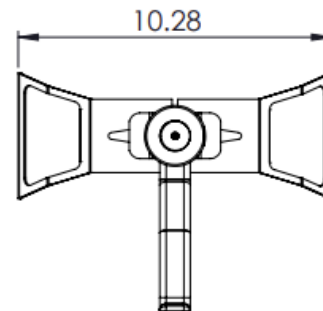
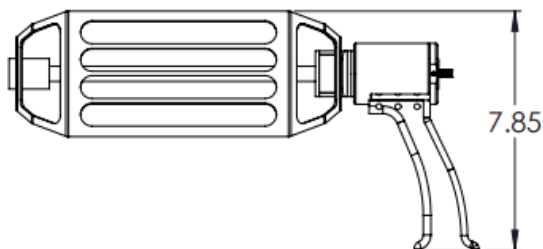
EM-6907 | Antenna, Passive, Handheld, Directional



Vertical Layout

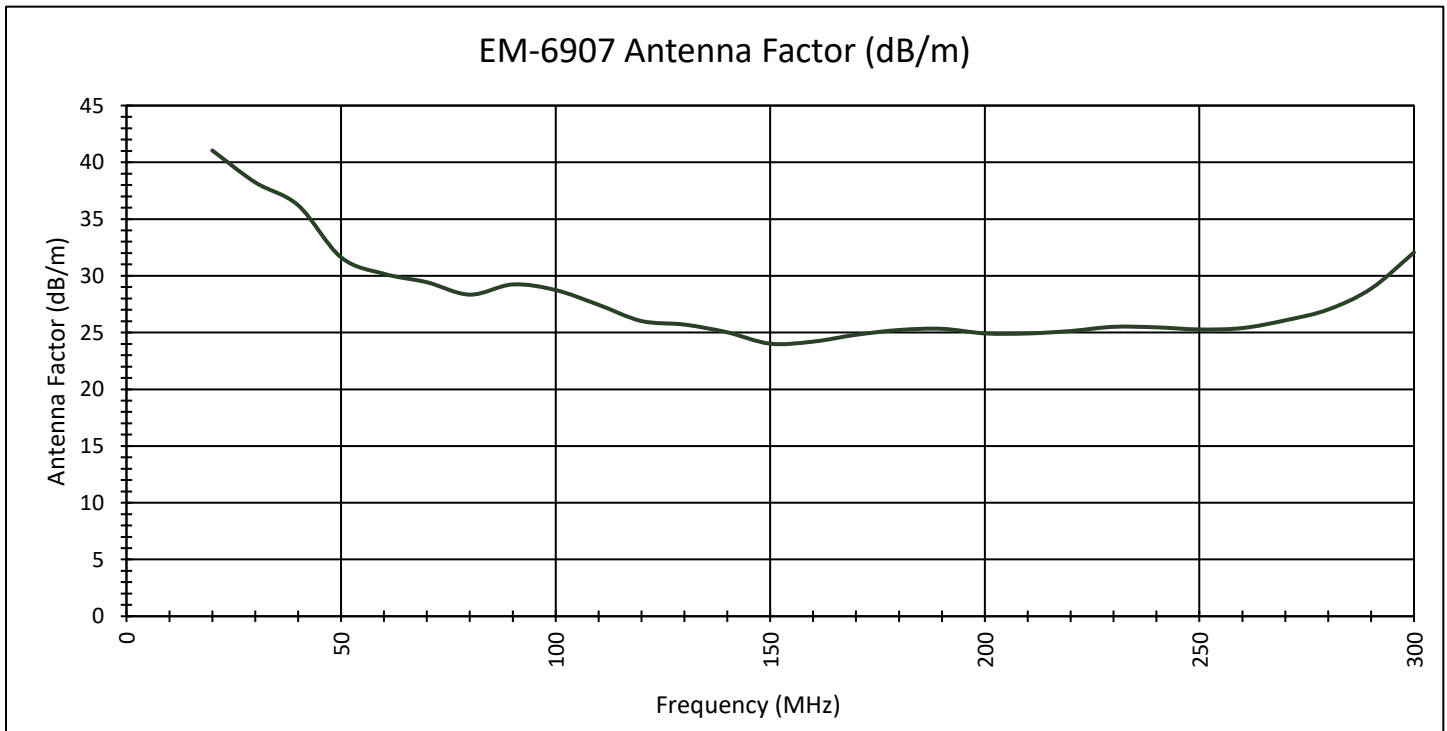
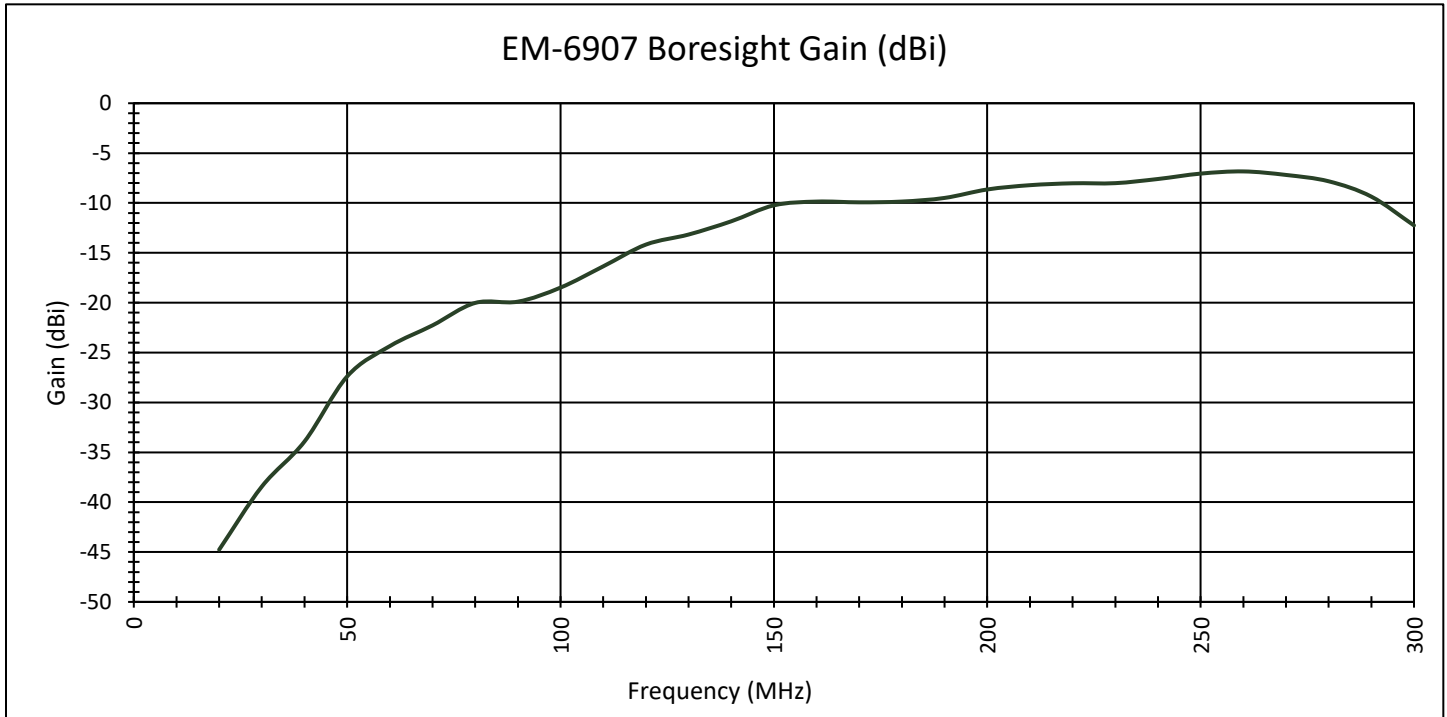


Horizontal Layout



EM-6907 | Mechanical Drawing

EM-6907 | Antenna, Passive, Handheld, Directional

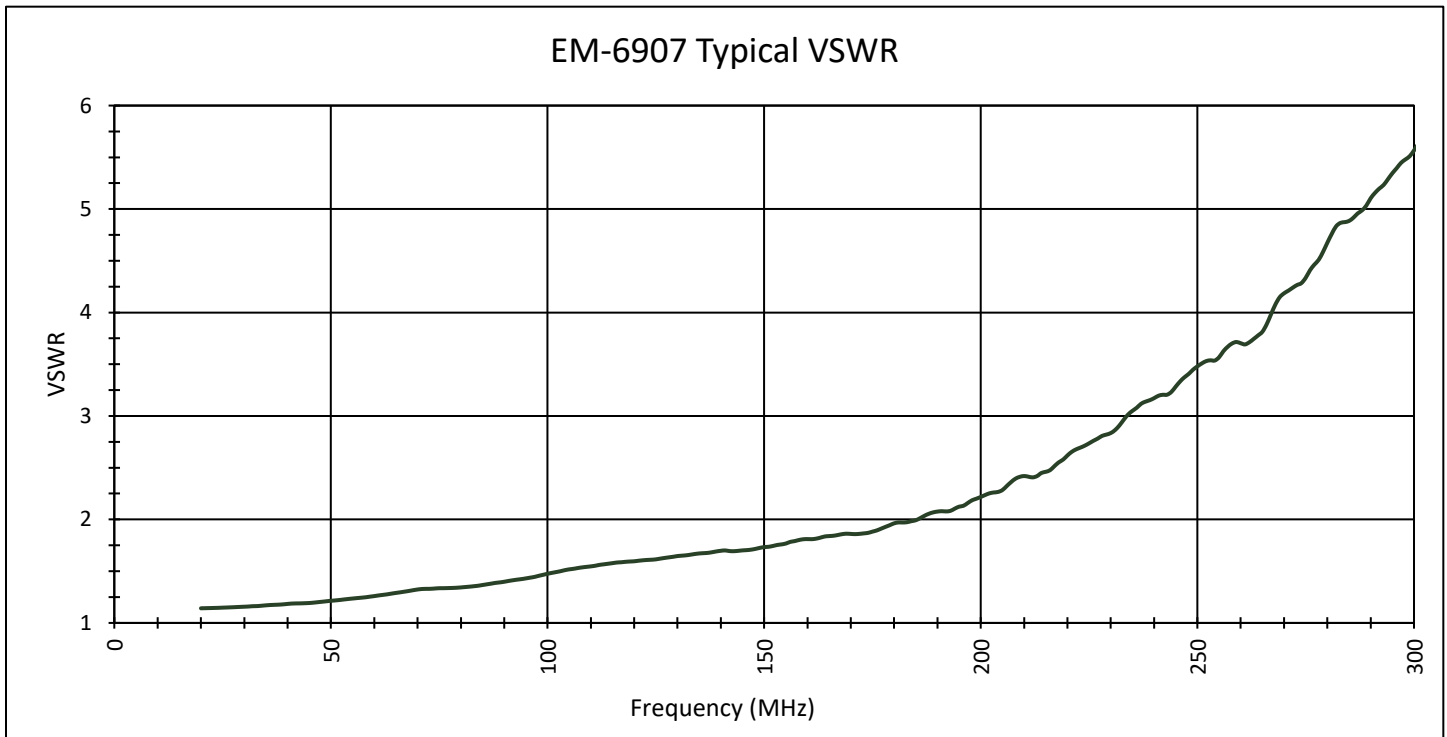
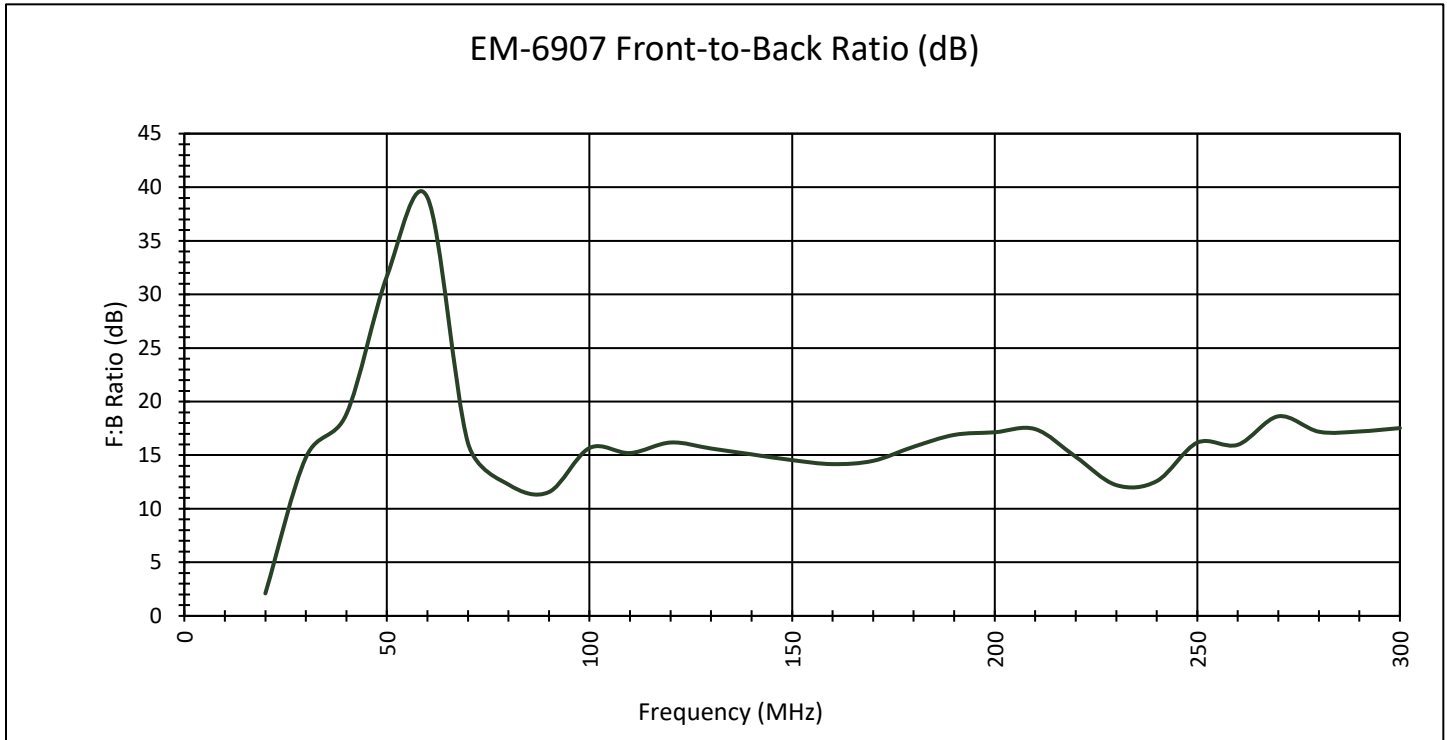


Specifications subject to change without notice, unless otherwise specified. Product is manufactured in Johnstown, NY, U.S.A.

Data shown is typical, not guaranteed.



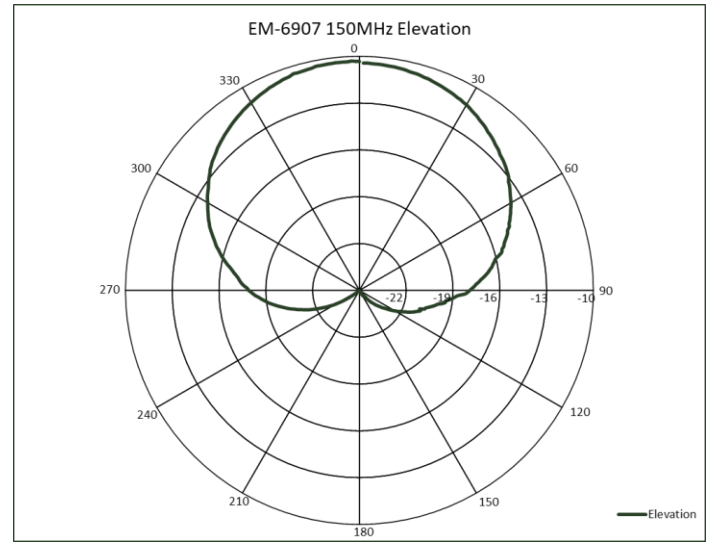
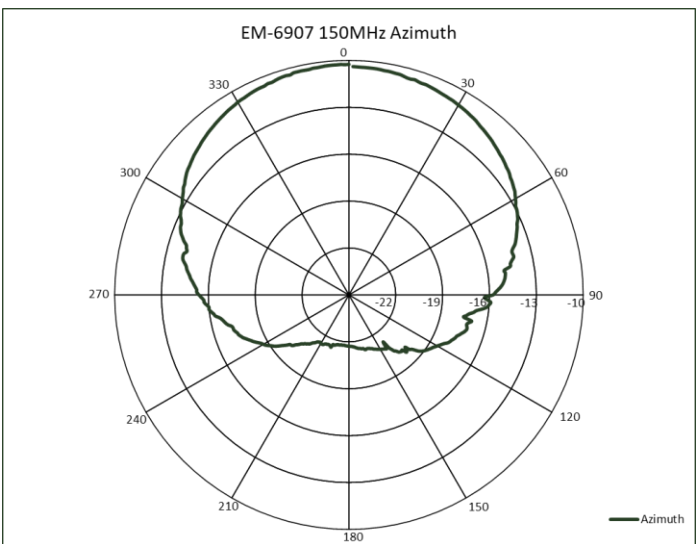
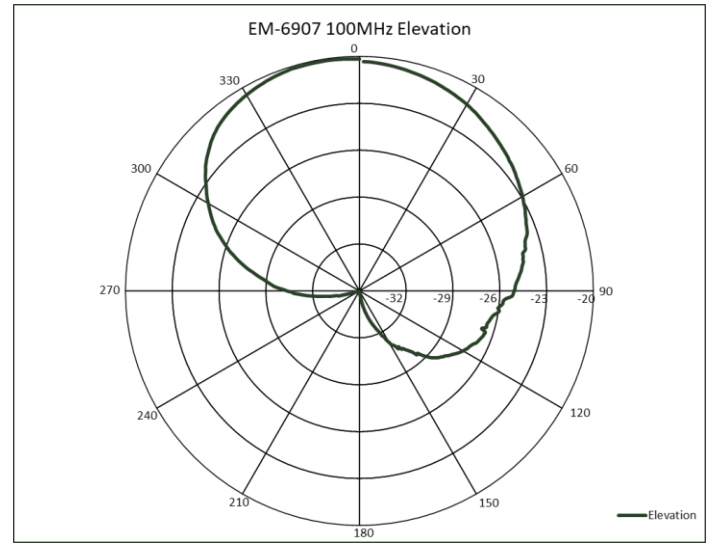
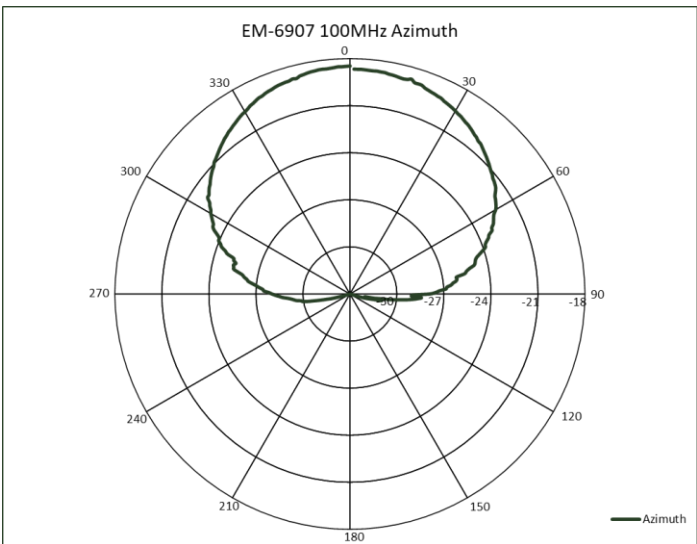
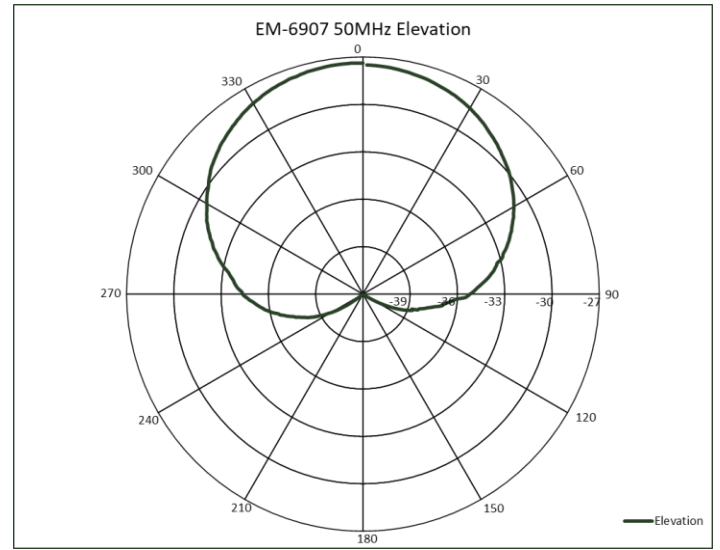
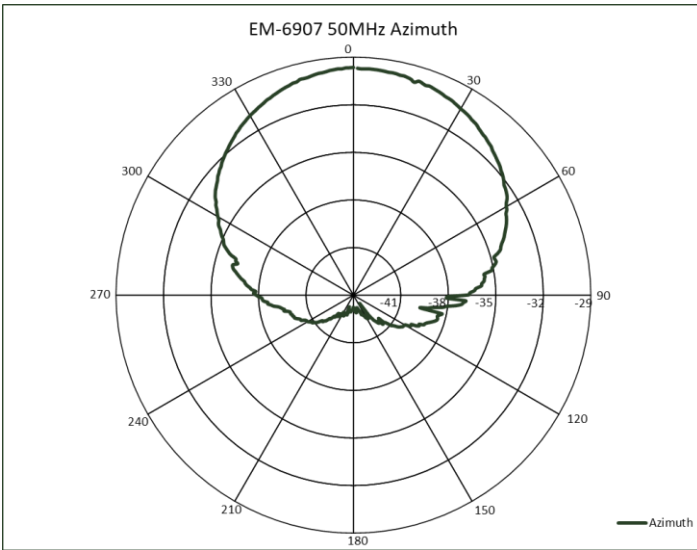
EM-6907 | Antenna, Passive, Handheld, Directional



Specifications subject to change without notice, unless otherwise specified. Product is manufactured in Johnstown, NY, U.S.A.

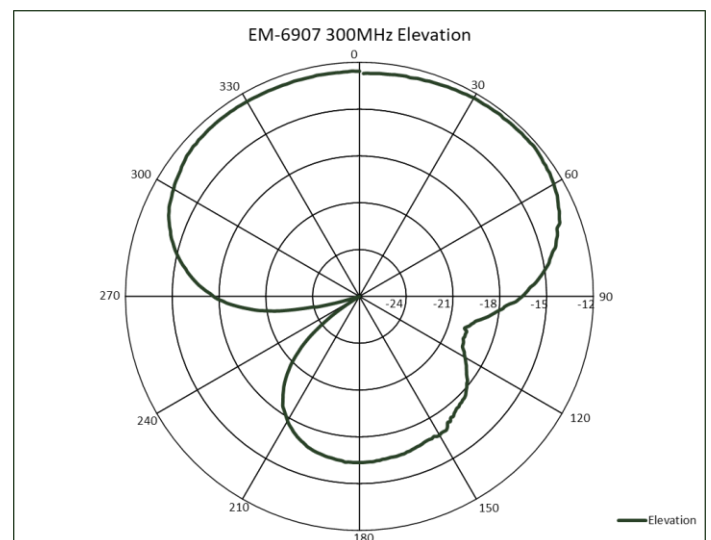
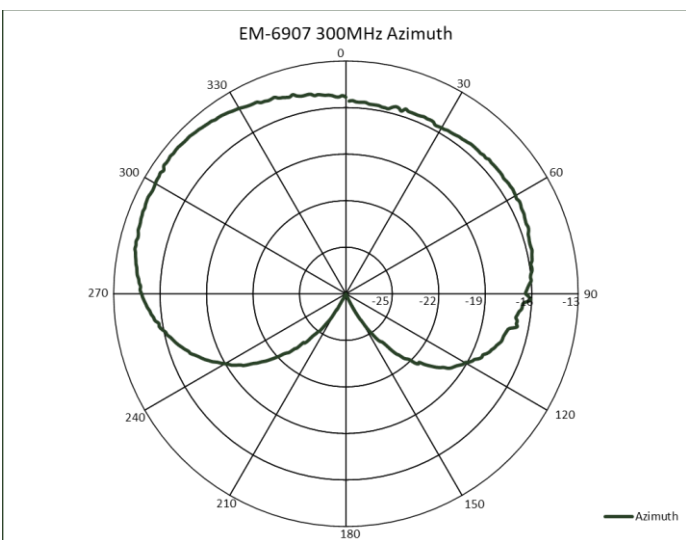
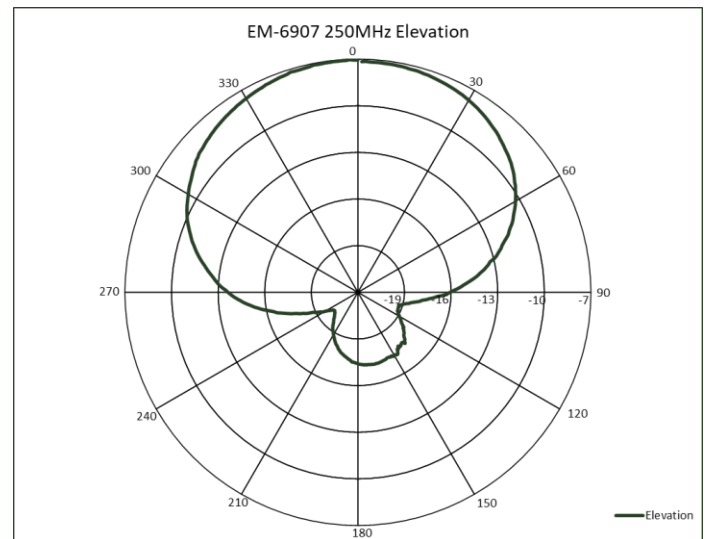
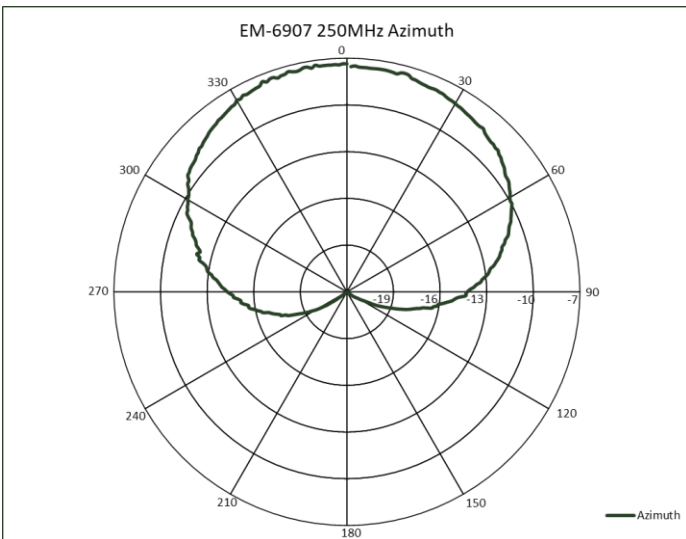
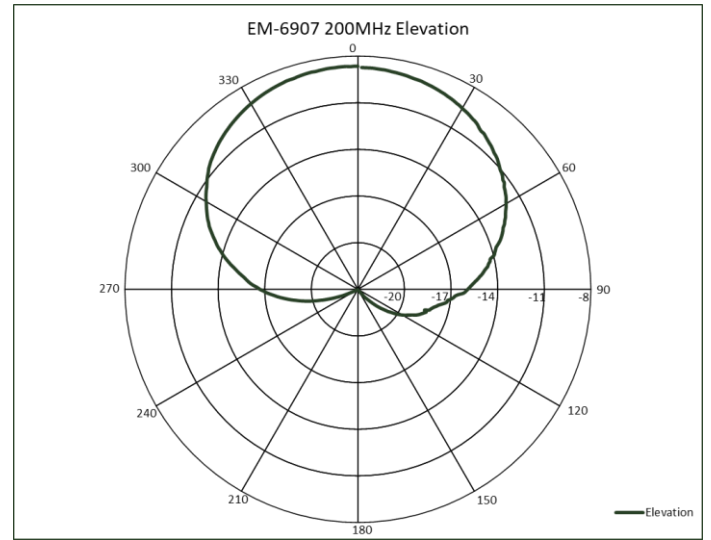
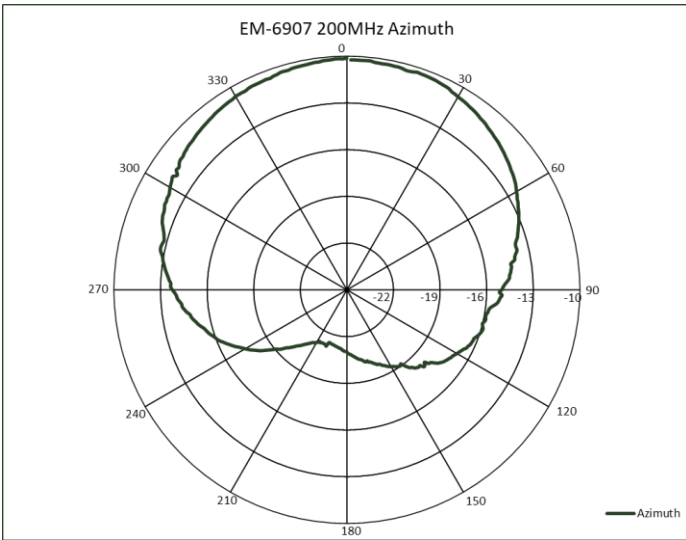
Data shown is typical, not guaranteed.





Scale: 3dB/Div. Azimuth/Elevation displayed in Vertical Configuration.

Data shown is typical, not guaranteed.



Scale: 3dB/div. Azimuth/Elevation displayed in Vertical Configuration.

Data shown is typical, not guaranteed.